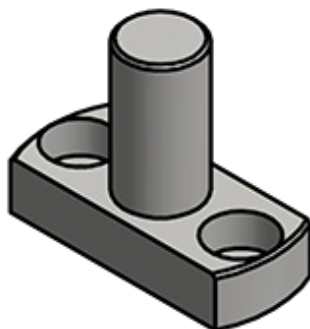
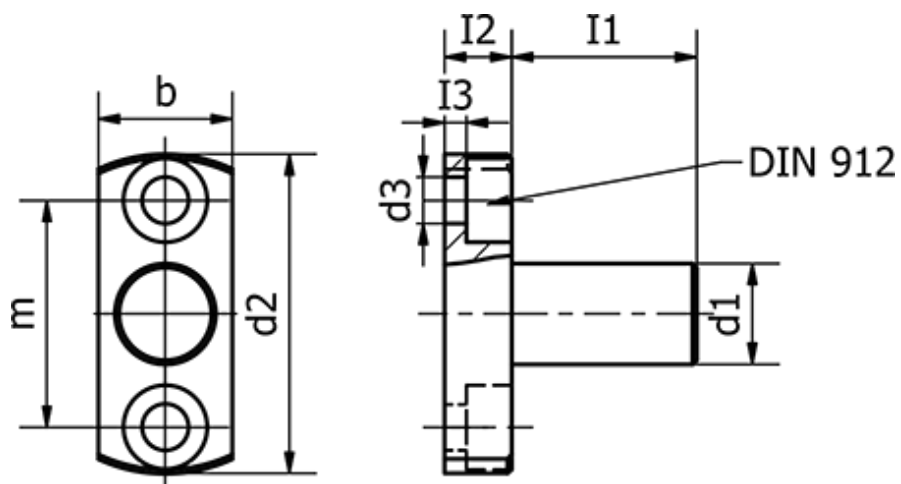


Article number: 2048015275

Description: E+G Flanged bolts - GN 480-15-27,5

## Measures



b = 20

d1 = 15

d2 = 45

d3 = M6

I1 = 27.5

I2 = 10

I3 = 4

m = 32

Weight (g) = 94